

I Series



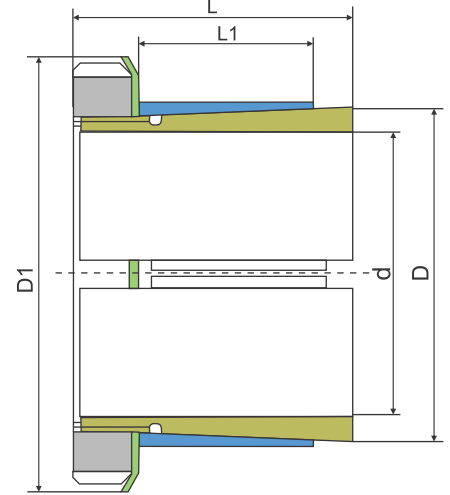
I Series

- Low torque
- Self-centering
- Self-locking
- Suited for restricted hub diameter
- Axial movement during clamping

Technical qualification

Tolerance : Shaft h8 / Hub H8

Surface roughness : Ra max. 12.5



Part No.	Size (mm)	Dimensions (mm)		Rated Load		Contact Pressure		Locking Screws		Weight (Approx.) (kg)
	dxDxL	L1	D1	Axial (KN)	Torque (N.m)	Shaft (Mpa)	Hub (Mpa)	DxT.P. (G. 8.8)	Tightening (N.m)	
OBC-14x25x30 I	14x25x30	20	32	9.00	61	81	43	M20x1	95	0.08
OBC-15x25x30 I	15x25x30	20	32	9.00	72	82	46	M20x1	95	0.08
OBC-16x25x30 I	16x25x30	20	32	9.00	73	75	45	M20x1	95	0.07
OBC-17x25x32 I	17x25x32	20	32	9.00	82	72	46	M20x1	95	0.09
OBC-18x30x32 I	18x30x32	20	38	10.00	98	78	44	M25x1.5	160	0.12
OBC-19x30x32 I	19x30x32	20	38	11.00	102	73	44	M25x1.5	160	0.12
OBC-20x30x32 I	20x30x32	20	38	11.00	110	69	44	M25x1.5	160	0.11
OBC-22x35x36 I	22x35x36	25	45	13.00	165	71	45	M30x1.5	220	0.18
OBC-24x35x36 I	24x35x36	25	45	14.00	178	65	45	M30x1.5	220	0.16
OBC-25x35x36 I	25x35x36	25	45	14.00	178	58	43	M30x1.5	220	0.19
OBC-28x40x42 I	28x40x42	30	52	17.0	248	54	40	M35x1.5	340	0.24
OBC-30x40x42 I	30x40x42	30	52	17.0	273	51	40	M35x1.5	340	0.24
OBC-32x45x44 I	32x45x44	30	58	21.0	347	59	45	M40x1.5	480	0.32
OBC-35x45x44 I	35x45x44	30	58	22.0	406	57	47	M40x1.5	480	0.32
OBC-38x50x45 I	38x50x45	30	65	25.0	510	62	46	M45x1.5	680	0.35
OBC-40x50x45 I	40x50x45	30	65	27.0	520	54	44	M45x1.5	680	0.33
OBC-42x55x46 I	42x55x46	30	70	29.0	650	68	52	M50x1.5	870	0.43
OBC-45x55x46 I	45x55x46	30	70	31.0	660	57	48	M50x1.5	870	0.40
OBC-48x60x46 I	48x60x46	30	75	34.0	810	58	48	M55x2	970	0.45
OBC-50x60x46 I	50x60x46	30	75	34	850	58	49	M55x2	970	0.40
OBC-55x65x46 I	55x65x46	30	80	37	1020	59	50	M60x2	1100	0.44
OBC-60x70x52 I	60x70x52	30	85	43	1290	62	52	M65x2	1300	0.55

Inch size and special dimensions available upon request.

